

## 8 Megabit (1Meg x 8) UV EPROM and OTP EPROM

### DATA BRIEFING

- FAST ACCESS TIME: 90ns
- LOW POWER "CMOS" CONSUMPTION:
  - Active Current 35mA
  - Standby Current 100µA
- PROGRAMMING VOLTAGE: 12.75V
- ELECTRONIC SIGNATURE for AUTOMATED PROGRAMMING
- PROGRAMMING TIMES of AROUND 52sec. (PRESTO IIB ALGORITHM)

### DESCRIPTION

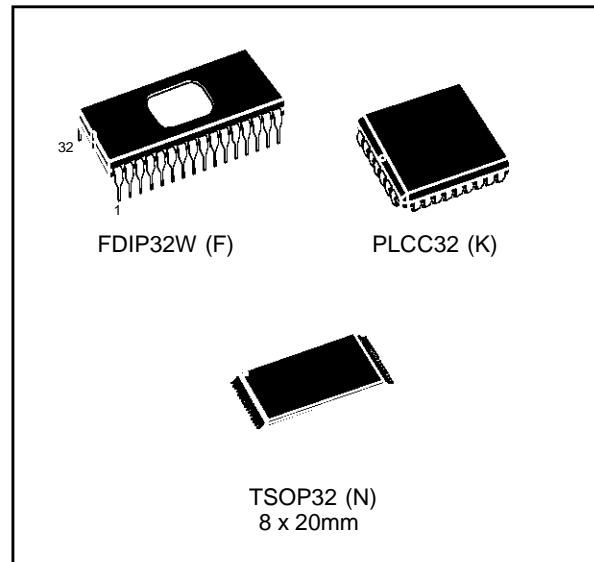
The M27C801 is an high speed 8 Megabit UV erasable and electrically programmable EPROM ideally suited for applications where fast turn-around and pattern experimentation are important requirements. Its is organized as 1,048,576 by 8 bits.

The Window Ceramic Frit-Seal Dual-in-Line package has transparent lid which allows the user to expose the chip to ultraviolet light to erase the bit pattern. A new pattern can then be written to the device by following the programming procedure.

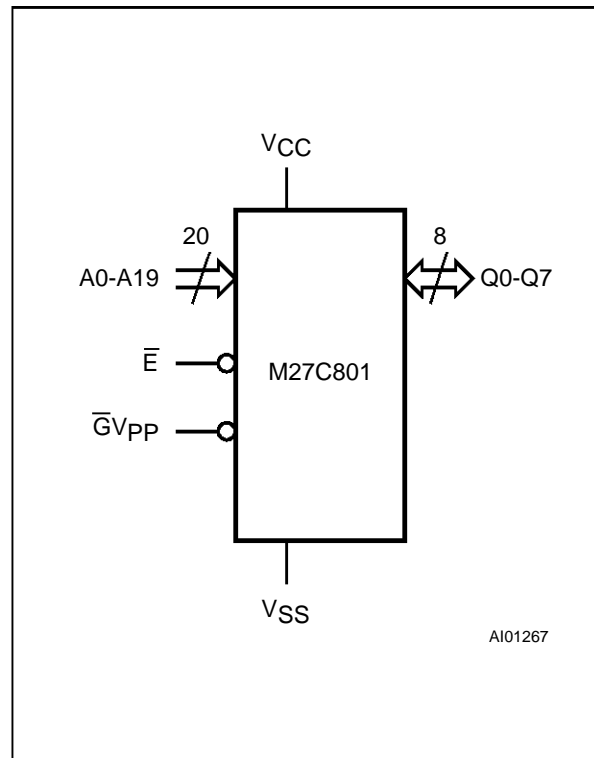
For applications where the content is programmed only one time and erasure is not required, the M27C801 is offered in Plastic Leaded Chip Carrier and Plastic Thin Small Outline packages.

### Signal Names

A0 - A19	Address Inputs
Q0 - Q7	Data Outputs
$\bar{E}$	Chip Enable
$\bar{G}V_{PP}$	Output Enable / Program Supply
V <sub>CC</sub>	Supply Voltage
V <sub>SS</sub>	Ground

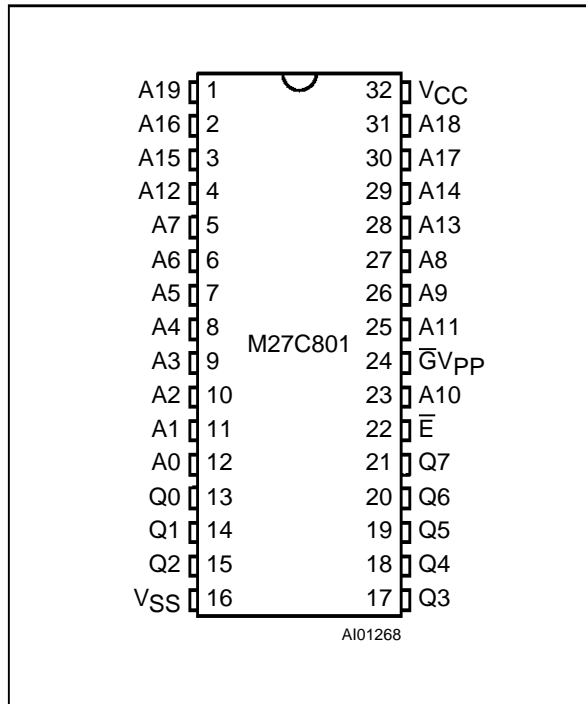


### Logic Diagram

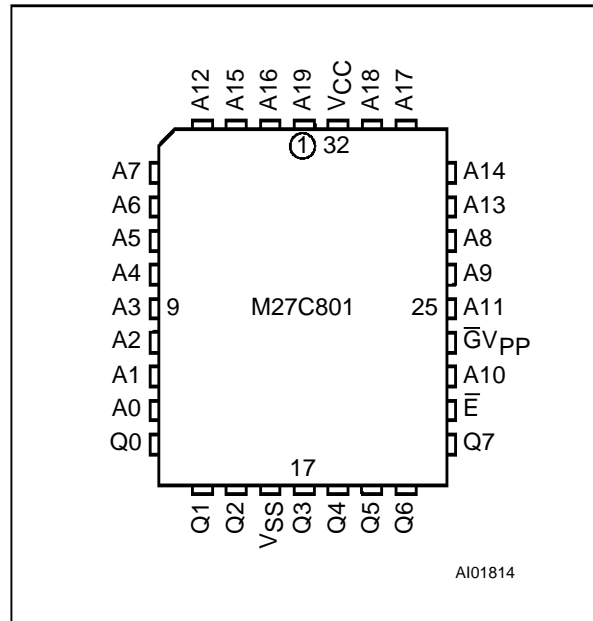


# M27C801

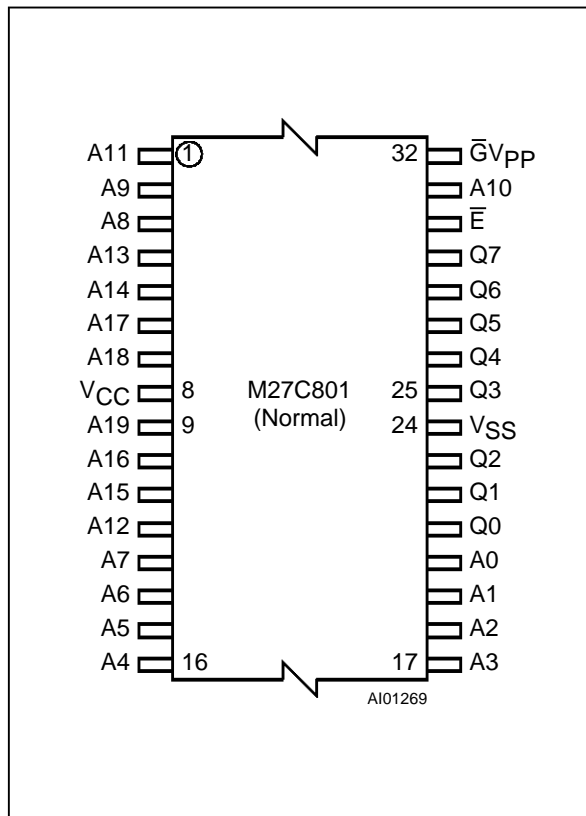
## DIP Pin Connections



## PLCC Pin Connections



## TSOP Pin Connections



## Ordering Information Scheme

For a list of available options refer to the current Memory Shortform catalogue.

For further information on any aspect of this device, please contact the SGS-THOMSON Sales Office nearest to you.

Example: M27C801 -100 K 1 TR

<b>Speed</b>	-100
-90	90ns
-100	100ns
-120	120ns
-150	150ns
-200	200ns
<b>Package</b>	K
F	FDIP32W
K	PLCC32
N	TSOP32 8 x 20mm
<b>Temp. Range</b>	1
1	0 to 70 °C
6	-40 to 85 °C
<b>Option</b>	TR
X	Additional Burn-in
TR	Tape & Reel Packing